

NEW
Products

Basic Cylinders BC Cylinders

**Direct Mounting, Smallest & Lightest
Possible to create all assembly processes with
just BC cylinders**



**Wide range of variations from
 $\phi 6$ [0.236 in] to $\phi 125$ [4.921 in]**



Basic Cylinders

BC Cylinders

BC Cylinders can be used in various processes and applications!



Easy model selection & designing is available!

This is the  standard cylinder.



BC Cylinders

NEW

Features

1. Lightweight & Compact
2. Wide size & option variation
3. Direct mounting
4. Guide options
5. Excellent basic performance
6. Two-color LED sensor switches
7. H1 grease compatible as standard





BC Cylinders

NEW

1. Lightweight & Compact

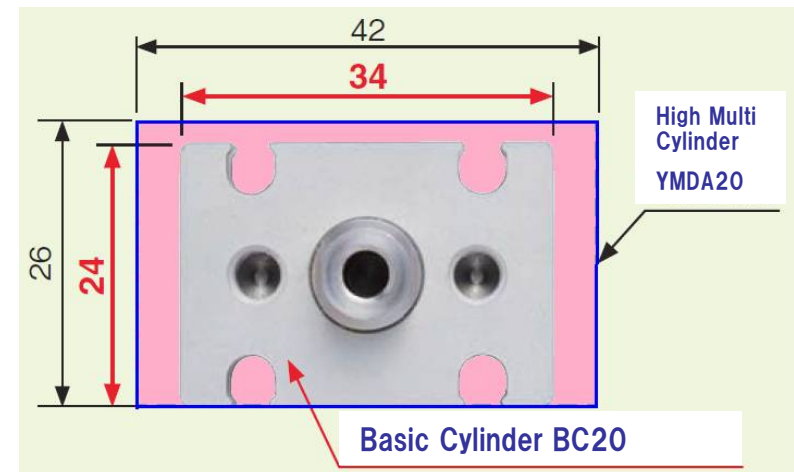
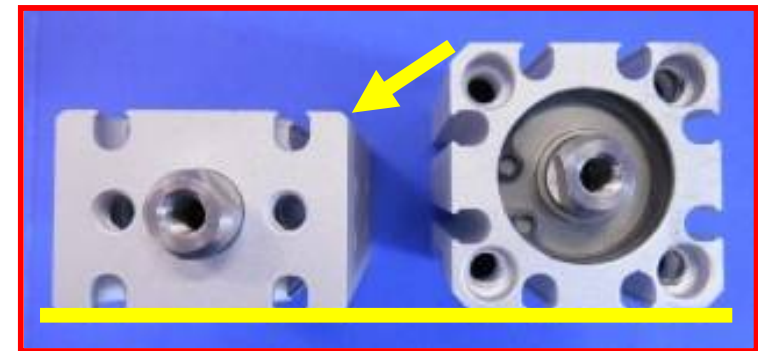
Size comparison of $\phi 20 \times 30$



High Multi Cylinder

Basic Cylinder

Jig Cylinder C Series





BC Cylinders

NEW

2. Wide size variation

Bore sizes $\phi 6 - \phi 125$





BC Cylinders

NEW

2. Wide option variation

Double acting type

Bore sizes $\phi 6 - \phi 125$



Single acting push type

Bore sizes $\phi 6 - \phi 50$



Double rod end type

Bore sizes $\phi 6 - \phi 125$



Single acting pull type

Bore sizes $\phi 6 - \phi 50$



Cylinders with guides

Bore sizes $\phi 8 - \phi 40$

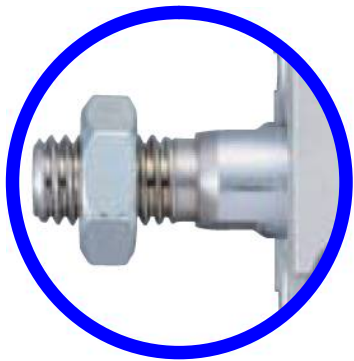




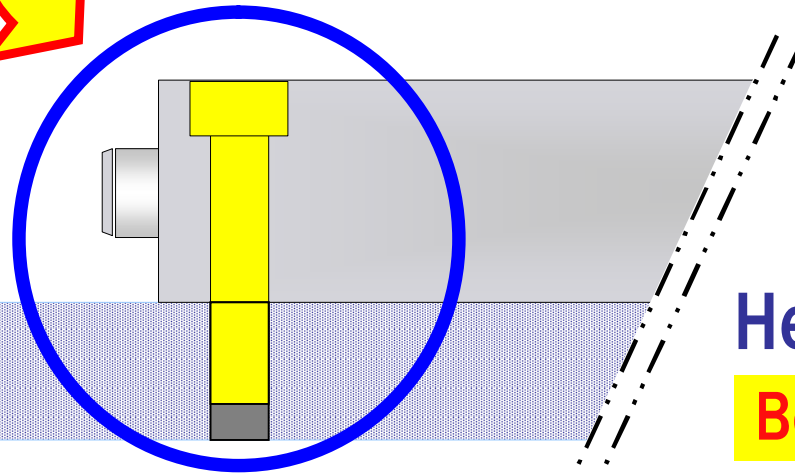
BC Cylinders

NEW

3. Direct mounting



Male thread also available



Head side mounting bracket

Bore sizes $\phi 10 - \phi 125$

Easy to image mounting



Easy selection & design

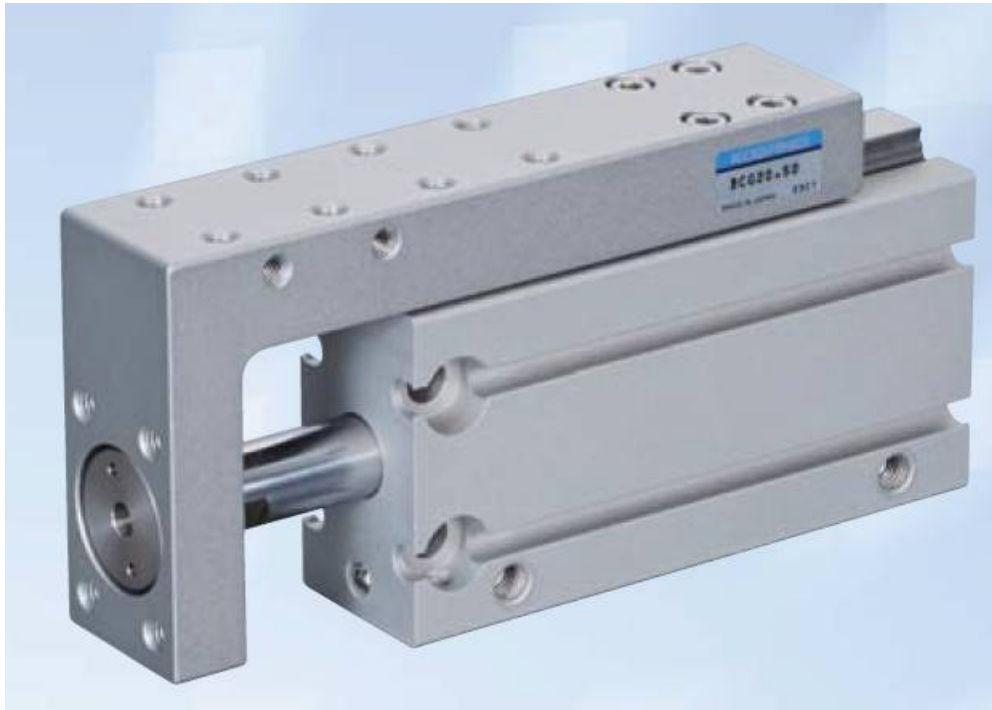


BC Cylinders

NEW

4. Guide options

With linear guide

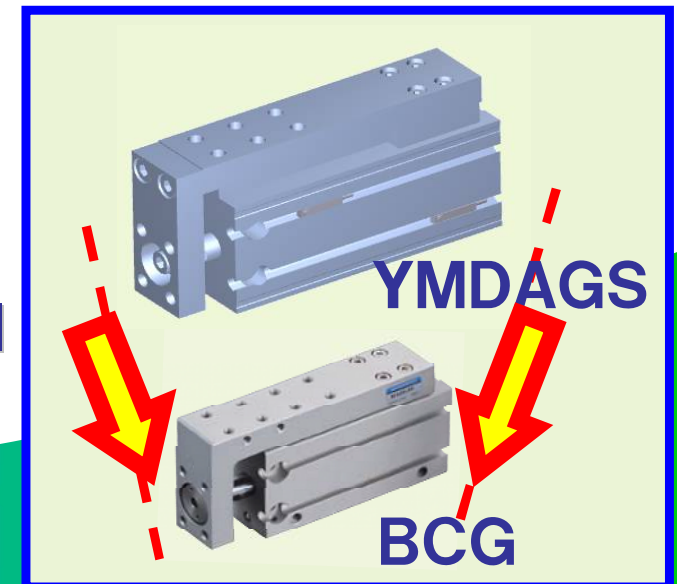


Rear piping



←Use plugs to change mounting direction change

Conventional model comparison



YMDAGS

BCG



BC Cylinders

NEW

5. Excellent basic performance

*Double acting type

Excellent low speed operation

| | | |
|-----------------------|--|--|
| Operating speed range | Bore size $\varnothing 6 \sim \varnothing 50$ | Bore size $\varnothing 60 \sim \varnothing 125$ |
| | 10~500mm/sec | 10~300mm/sec |

Excellent stability

Stick slip phenomenon only occurs rarely

Excellent durability

Operating life: **10 million** times of operation

Lateral load resistance improved (Compared to Jig cylinder C series)



BC Cylinders

NEW

6. Two-color LED sensor switches

Maximum sensing location adjustment is easy.



7. H1 grease compatible as standard

NSF H1 grade grease

H1 lubricants are food-grade lubricants used in food-processing environments where there is the possibility of incidental food contact.

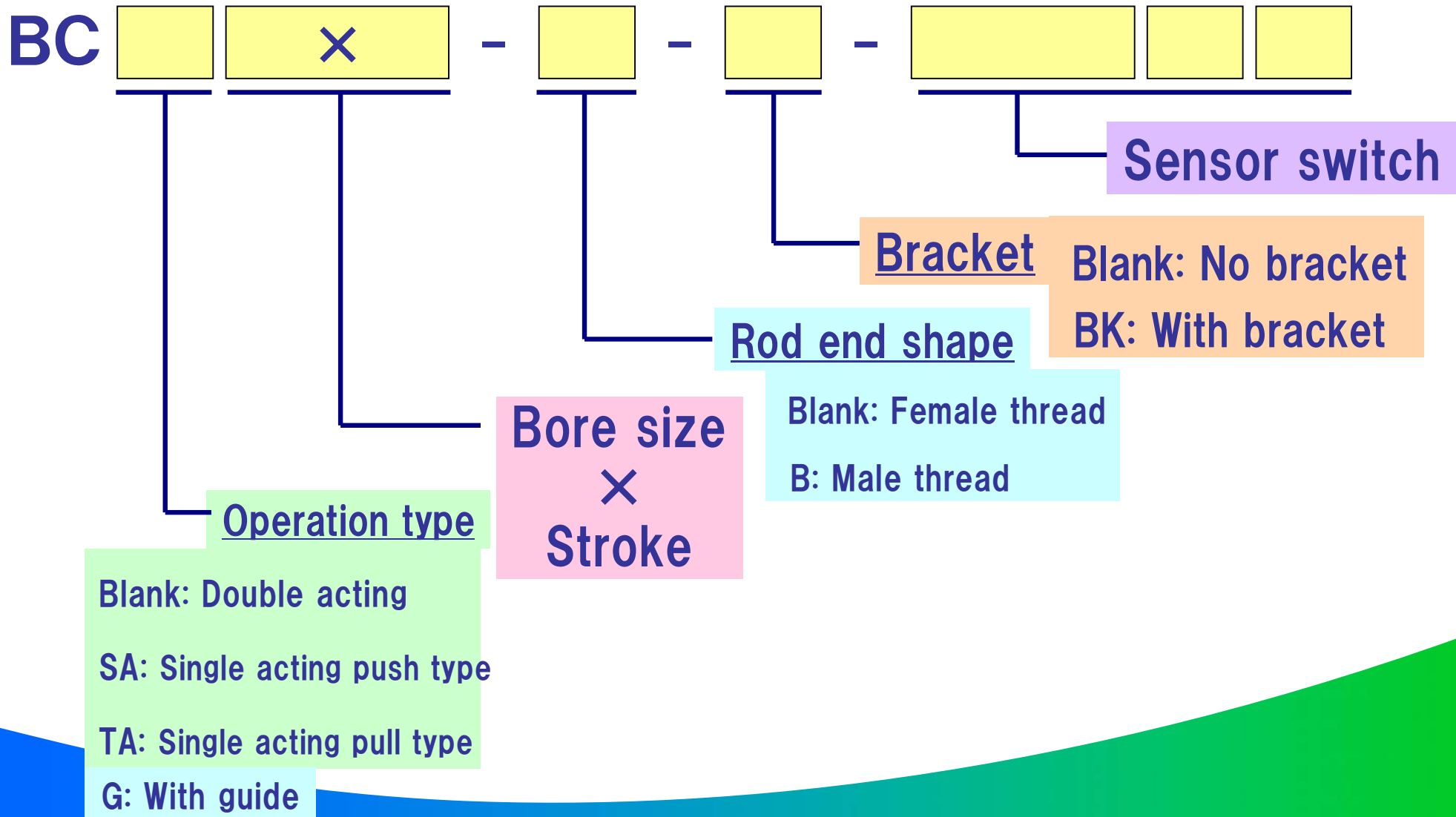




BC Cylinders



Order Code





BC Cylinders

NEW

Φ Bore size x Stroke

● Double acting type

| Bore size | Standard stroke | Maximum ST |
|------------------|--|------------|
| 6,8,10 | 5,10,15,20,25,30 | 50 |
| 12,16 | 5,10,15,20,25,30,35,40,45,50 | 100 |
| 20,25 | 5,10,15,20,25,30,35,40,45,50,55,60,70,75,80,90,100 | 125 |
| 32,40 | 10,15,20,25,30,35,40,45,50,55,60,70,75,80,90,100 | 200 |
| 50,63,80,100,125 | 10,15,20,25,30,35,40,45,50,55,60,70,75,80,90,100 | 200 |

● Single acting type

| Bore size | Standard stroke |
|-------------|------------------|
| 6,8,10 | 5,10,15 |
| 12,16,20,25 | 5,10,15,20,25,30 |
| 32,40,50 | 10,15,20,25,30 |

Collar packed used for non-standard ST



BC Cylinders

NEW

Φ Bore size x Stroke

● Double rod type

| Bore size | Standard stroke |
|------------------------|-----------------------------------|
| 6,8,10,12,16 | 5,10,15,20,25,30 |
| 20,25 | 5,10,15,20,25,30,40,50 |
| 32,40,50,63,80,100,125 | 10,20,30,40,50,60,70,75,80,90,100 |

● Cylinders with guides

| Bore size | Standard stroke |
|------------------|------------------------------------|
| 8,10,12,16,20,25 | 5,10,15,20,25,30,35,40,45,50,55,60 |
| 32 | 10,15,20,25,30,35,40,45,50,55,60 |
| 40 | 10,15,20,25,30,35,40,45,50,55,60 |

Collar packed used for non-standard ST



BC Cylinders

NEW

Sensor switch model

Blank : No sensor switch

ZE135: 2-lead wires, solid state type, horizontal lead wire

ZE155: 3-lead wires, solid state NPN output type, horizontal lead wire

ZE175: 3-lead wires, solid state PNP output type, horizontal lead wire

ZE235: 2-lead wires, solid state type, vertical lead wire

ZE255: 3-lead wires, solid state NPN output type, vertical lead wire

ZE275: 3-lead wires, solid state PNP output type, vertical lead wire

ZE137: 2-lead wires, 2-color LED solid state type, horizontal lead wire

ZE157: 3-lead wires, 2-color LED solid state NPN output type, horizontal lead wire

ZE177: 3-lead wires, 2-color LED solid state PNP output type, horizontal lead wire

ZE237: 2-lead wires, 2-color LED solid state type, vertical lead wire

ZE257: 3-lead wires, 2-color LED solid state NPN output type, vertical lead wire

ZE277: 3-lead wires, 2-color LED solid state PNP output type, vertical lead wire

ZE101: 2-lead wires, reed switch type without indicator, horizontal lead wire^{Note 2}

ZE102: 2-lead wires, reed switch type, horizontal lead wire^{Note 2}

ZE201: 2-lead wires, reed switch type without indicator, vertical lead wire^{Note 2}

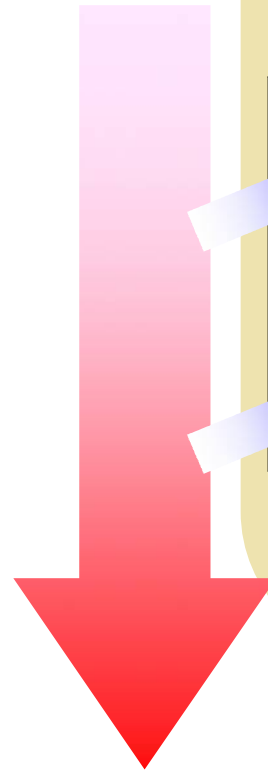
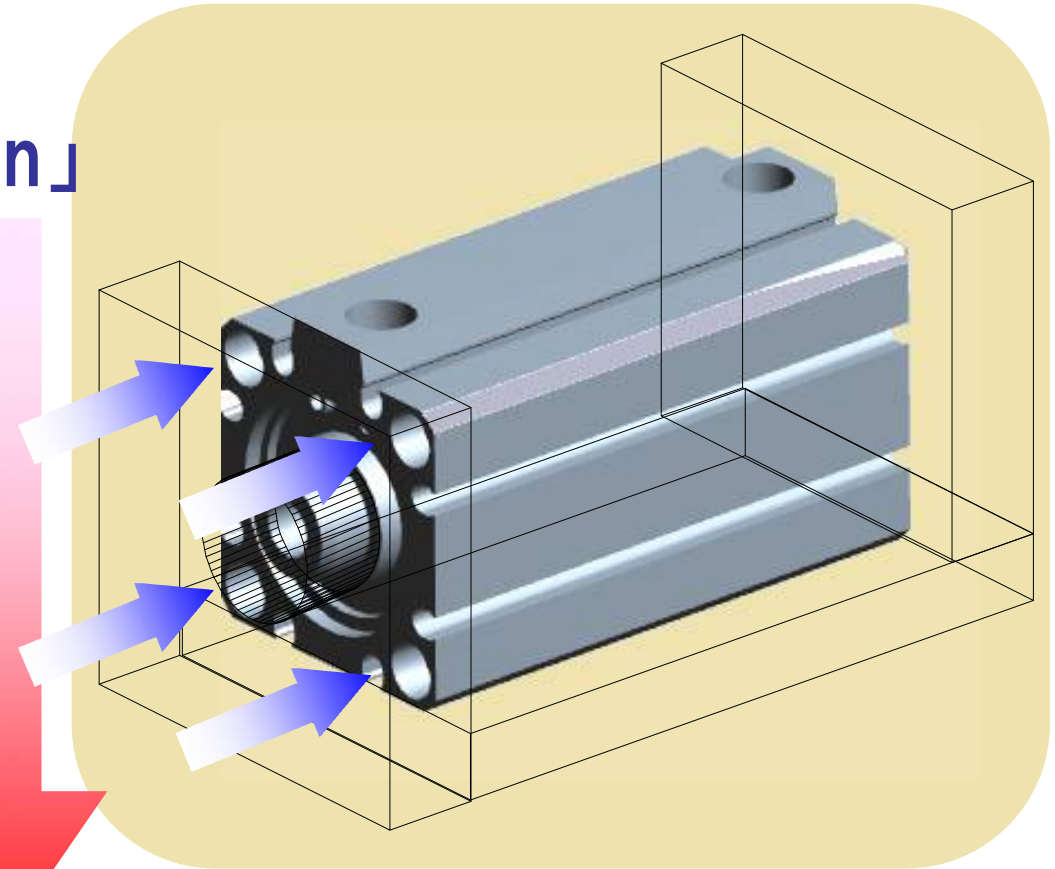
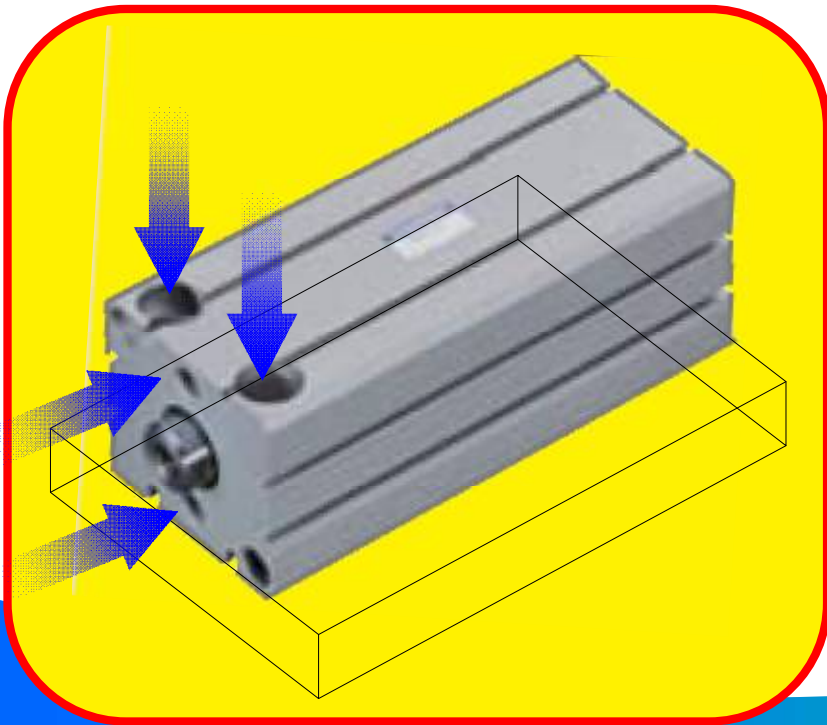
ZE202: 2-lead wires, reed switch type, vertical lead wire^{Note 2}



BC Cylinders

NEW

The typical
「Easy selection & 「Easy design」
Jig Cylinder C series



To a NEW STANDARD

NEW

Basic Cylinder